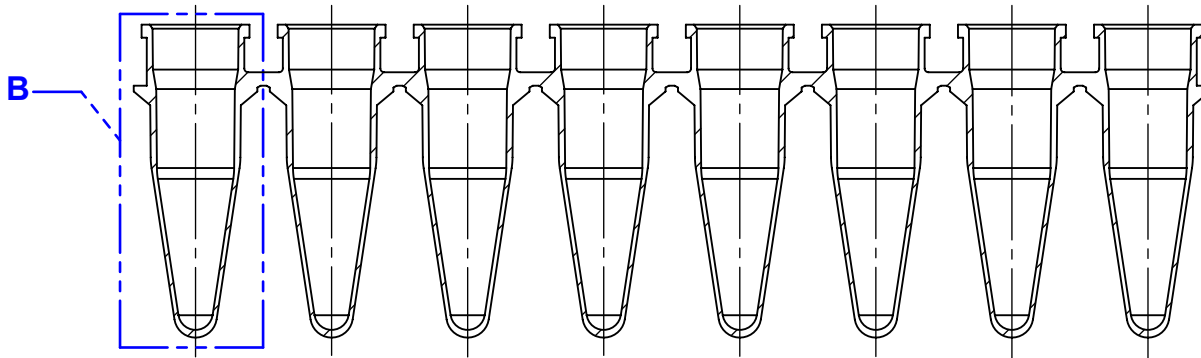
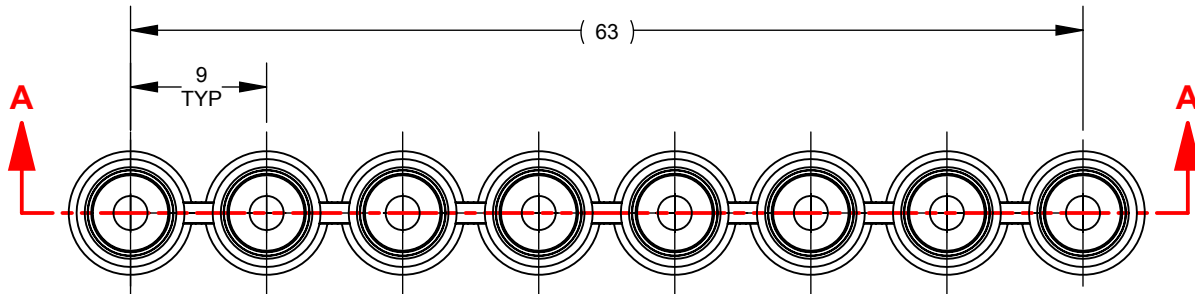
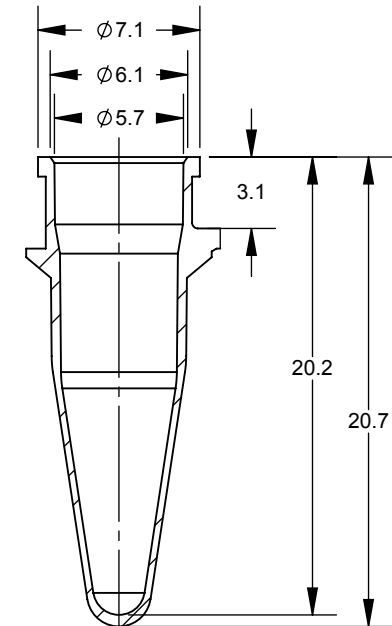
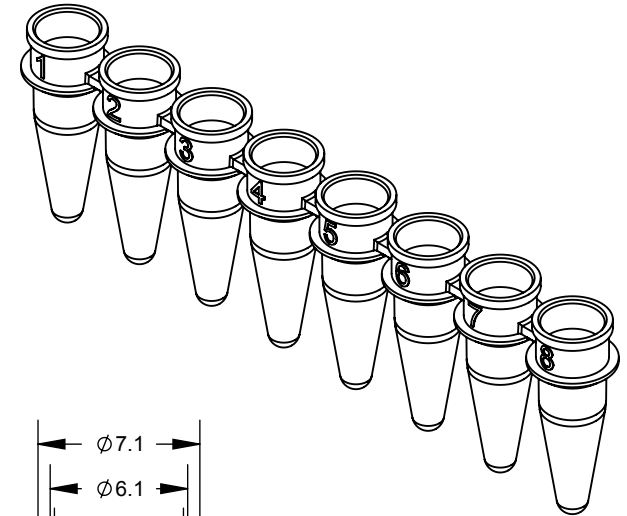




**westburg**  
LIFE SCIENCES



**SECTION A-A**  
SCALE: 2 : 1



**DETAIL B**  
SCALE:  
TYP3 : 1

**WB 0264 8-STRIP PCR TUBE**

Arnhemseweg 87  
3832 GK Leusden  
The Netherlands

P.O. Box 214  
3830 AE Leusden  
The Netherlands

+31 33 495 0094  
info@westburg.eu  
www.westburg.eu

IBAN NL78RABO0168460297  
NL005049532B01  
KvK 31024246

